



Self-contained ice maker - Paddle system Daily production up to 87 kg

Hotel	██████████
Restaurant	██████████
Fast food	██████████
Bar	██████████
Disco	██████████
Fish market	██████████
Supermarket	██████████
Medical & SPA	██████████
Industry	██████████

► Position n°



► Features & Plus

- Hollow cube
- AISI 304 SS Scotch Brite finish
- Tropical class +43°C
- Adjustable Stainless Steel feet
- Removable and cleanable air filter
- Air or water cooling system
- Easy cleanable internal rounded surfaces
- HCFC-Free insulated storage
- FDA approved -ABS water basin
- Basin tipping safety system
- RoHS Free
- Disappearing insulated door
- Electromechanical operation
- ON-OFF rocker switch
- Automatic water charge
- Standard and special voltages



AISI 304 SS Scotch Brite finish



Removable and cleanable air filter

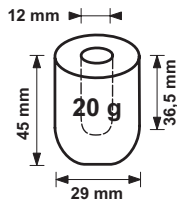


FDA approved - ABS water basin



Disappearing insulated door

► Available ice cube size



► Prod. 24h

Air temp.	Water temp.	kg	lbs		
				10° C	50° F
21° C	70° F	15° C	60° F	75	165

2 Years Warranty
subject to limitations

► Certifications available for this model



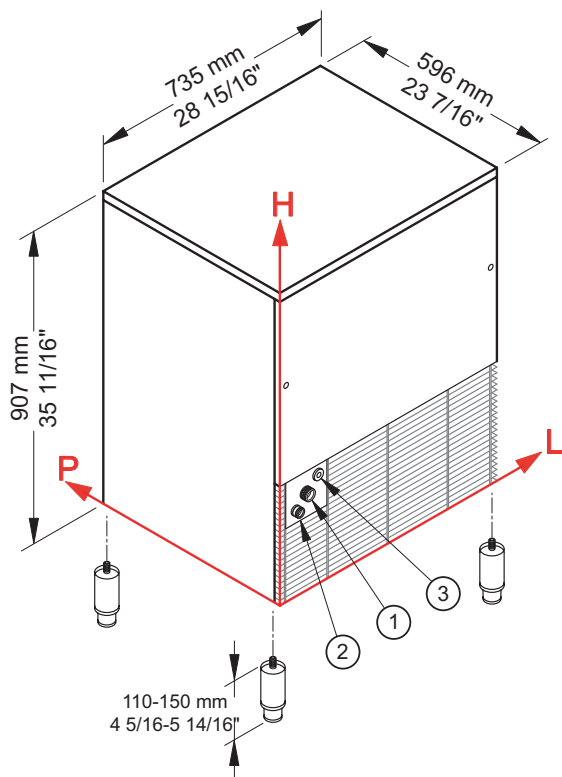


Ice Finger

IMF 80



Self-contained ice maker - Paddle system Daily production up to 87 kg



► Working conditions

- Location: **Indoor**

	Min	Max
Ambient temperature	+10° C / +50° F	+43° C / 110° F
Water temperature	+3° C / +37° F	+32° C / +90° F
Voltage	-10%	+10%
Water inlet pressure	1bar (14 psi)	6bar (84 psi)

► Performances

	Air temperature	Water temperature	Water temperature					
			7° C	45° F	15° C	60° F	21° C	70° F
	10° C	87 kg						
	50° F	192 lbs						
	21° C			75 kg				
	70° F			165 lbs				
	32° C					60 kg		
	90° F						132 lbs	

► Connections

All measures are referred to the rear bottom-left corner (L-H-Ø)

- ① Water in.: 116 mm / 4 9/16" - 285 mm / 11 4/16" - 3/4" ② Water out.: 54 mm / 2 2/16" - 240 mm / 9 7/16" - 24 mm / 15/16"
 ③ Electrical connections: 161 mm / 6 5/16" - 321 mm / 12 10/16"

► Technical information

Production in 24h	75 kg / 165 lbs
Store capacity, up to	30 kg / 66 lbs
Cooling system	A - W
Kind of cube	A-20g
Refrigerant	R452A
Standard voltage	220-240 V ~ 50 Hz
Average power consumption	480 W
Fuse	10 A
Finish	AISI 304 stainless steel, scotch brite

Water consumption	A: 3,3 l/kg - 39,5 gal/100 lbs
	W: 10,5 l/kg - 125,8 gal/100 lbs
Sizes (L-P-H mm)	735 - 596 - 907
(L-P-H in)	28 15/16 - 23 7/16 - 35 11/16
Sizes with pack (L-P-H mm)	780 - 640 - 1085
(L-P-H in)	30 11/16 - 25 3/16 - 42 11/16
Net weight	75 kg / 165 lbs
Gross weight	87 kg / 192 lbs

All the technical information must be considered at the following conditions:

- Sizes without feet
- Standard Cube (20 g)
- Ambient temperature +21° C
- Water temperature +15° C
- Average power consumption at +43° C (standard voltage)

Models and specifications are subject to change without notice

Rev. 00 - Issued March 2021



www.bremaice.it
info@bremaice.it

We are Brema

